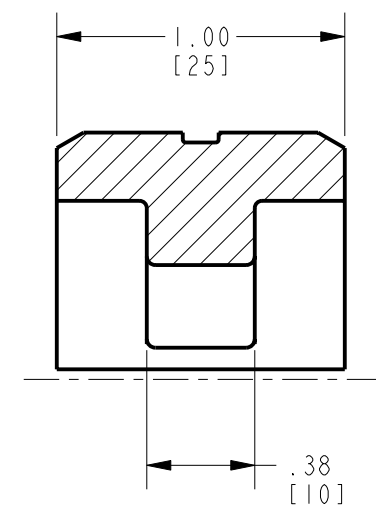
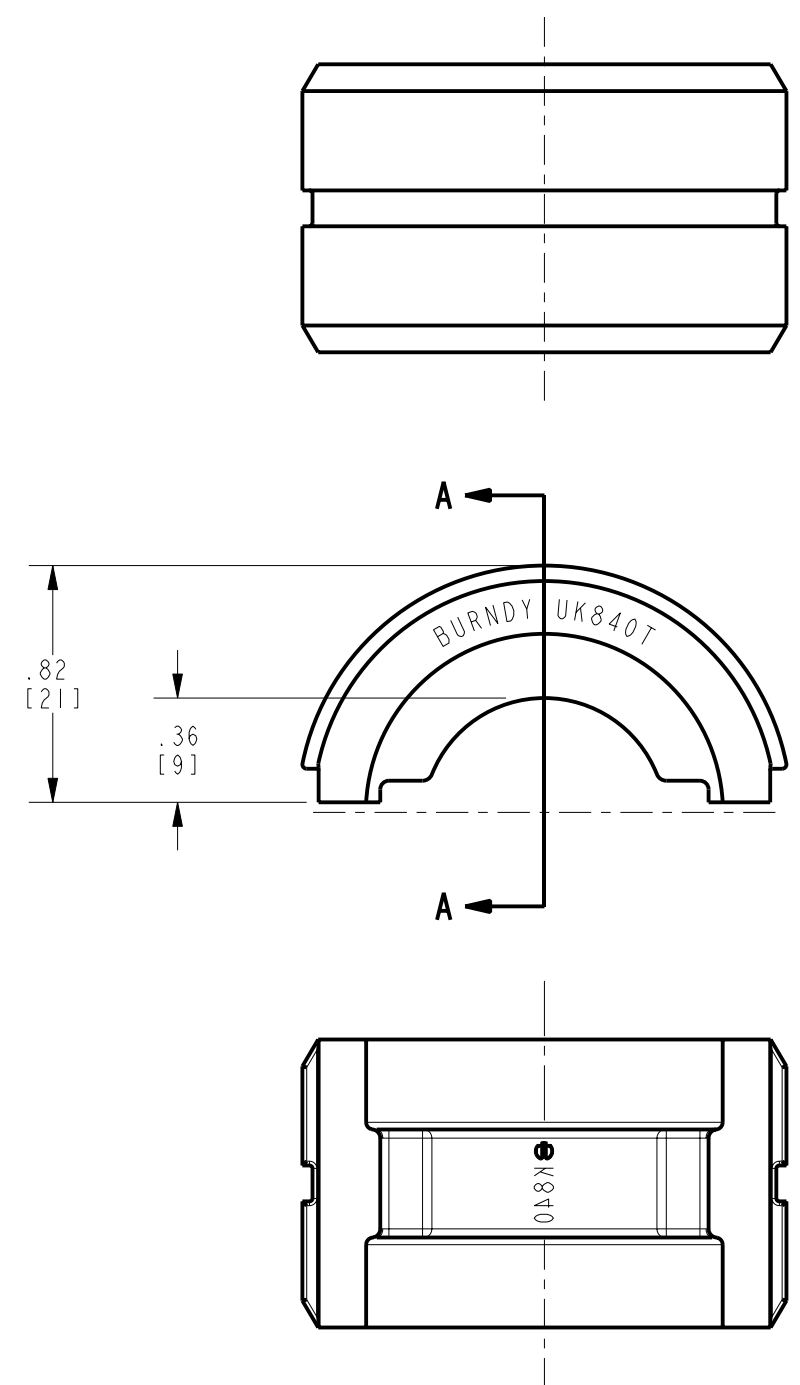
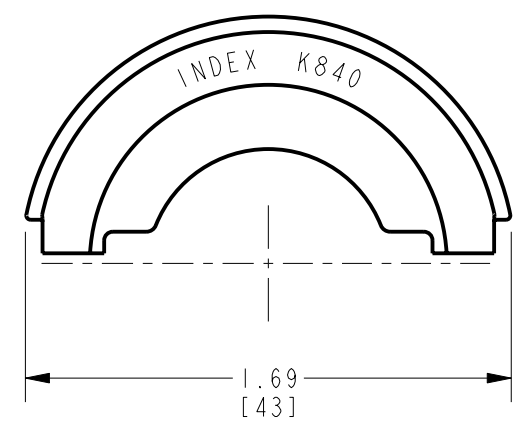


REV.	DATE	DESCRIPTION	ECO	BY	C'H'K.
A	8/8/2009 9:45:00 AM	NEW SALES DRAWING RELEASE	18772	1A	JG



SECTION A-A



NOTES:

1. DIMENSIONS IN BRACKETS [] ARE IN MILLIMETERS ROUNDED OFF TO THE NEAREST MILLIMETER, UNLESS OTHERWISE SPECIFIED, AND ARE FOR REFERENCE ONLY.
2. CATALOG NUMBER UK840T CONSISTS OF TWO SINGLE DIES AS SHOWN.
3. MATERIAL: STAINLESS STEEL.

TO ORDER BURNDY® PRODUCTS CALL
 UNITED STATES:
 1-800-346-4175 (LONDONDERRY, NH)
 CANADA:
 1-800-361-6975 (QUEBEC)
 1-800-387-6487 (ALL OTHER PROVINCES)
 FOR PRODUCT INFO: <http://www.burndy.com>

CIRCULAR BUTTING TWIN DIE		SCALE: 3:2	
ITEM NO: --			
CAT. NO: UK840T			
DRAWN BY: I. ANBALAGAN	08/08/09		DRAWING NO
CHECKER: R. ROMAN	09-09-09		
DSN APPVL: R. ROMAN	09-09-09		
MFG APPVL: S. HOPPS	09-14-09		
QA APPVL: C. ACKERMAN	09-10-09	PROJECT #: --	SIZE
MKT APPVL: R. POIRRIER	10-02-09	DOCUMENT TYPE: Sales	B
PROD FAM: TOOLS/HYDRAULIC DIES		REL LEVEL: Released	
			10105295
			A
			SHEET 1 OF 1

REV: PE0200